

Artic Grande Pendant

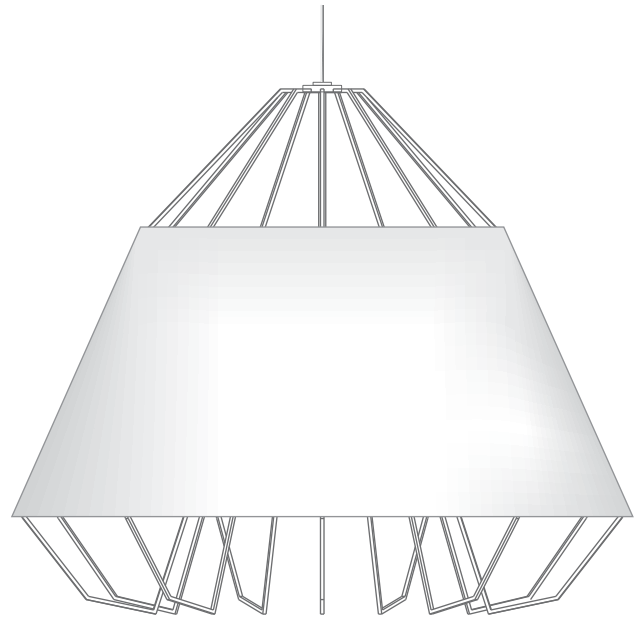
700TDARTG_ 1.1



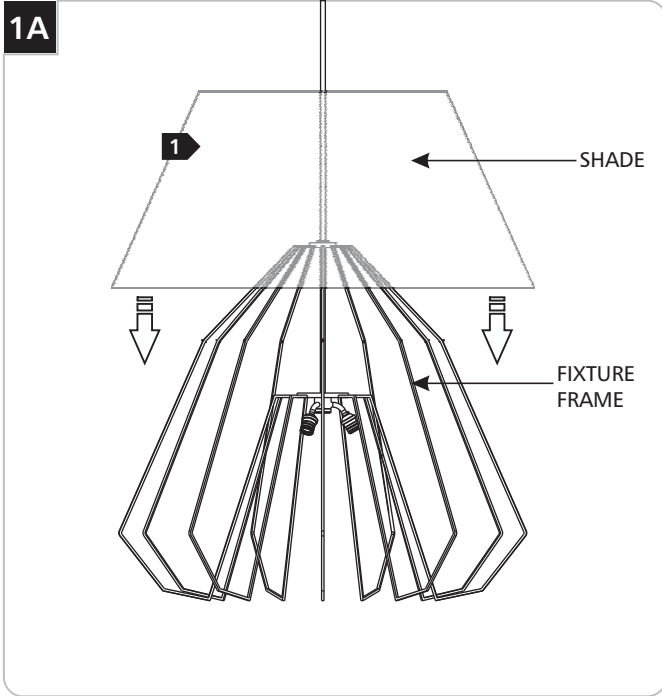
PENDANTS

GENERAL PRODUCT INFORMATION:

This product is suitable for damp locations.



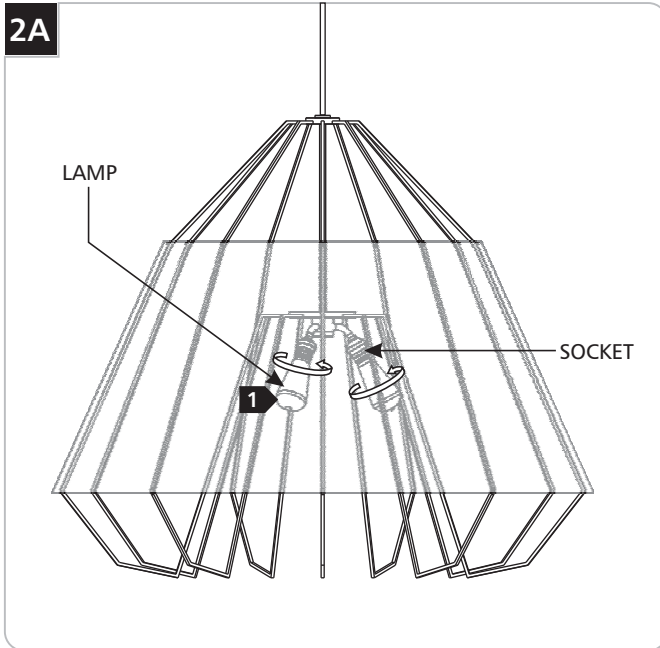
Install the Shade



- 1 Install the shade by slipping the cord through it and then lowering it onto the fixture frame.

Note: If the shade does not fit properly on the frame, adjustment of frame arms will be needed. Loosen the frame screws located on the top and center of the fixture frame to properly position the frame arms. Once the proper position has been set, re-tighten the frame screws to lock the arms in place.

Install the Lamps



CAUTION: To reduce the risk of a burn or electric shock during relamping, disconnect the power to the fixture.

Refer to fixture marking for lamp information

- 1 Screw the lamp(s) into the socket(s).

SAVE THESE INSTRUCTIONS!



TECH LIGHTING®

7400 Linder Ave, Skokie, IL 60077

847.410.4400

www.techlighting.com

© 2017 Tech Lighting, L.L.C. All rights reserved. The "Tech Lighting" graphic is a registered trademark of Tech Lighting, L.L.C. Tech Lighting reserves the right to change specifications for product improvements without notification.

A Generation Brands Company