

Aragon Suspension

700ARGN_ 1.0



GENERAL PRODUCT INFORMATION:



This product can mount to either a 4" square electrical box with a round plaster ring or an octagon electrical box.

This product is suitable for damp locations.

This product may be dimmed with a low-voltage electronic dimmer, TRIAC dimmer, or a 0-10V dimmer depending on the wiring configuration.

NOTE: It is recommended that the fixture remain in the shipping box until it is fully assembled and ready to install to the electrical box.

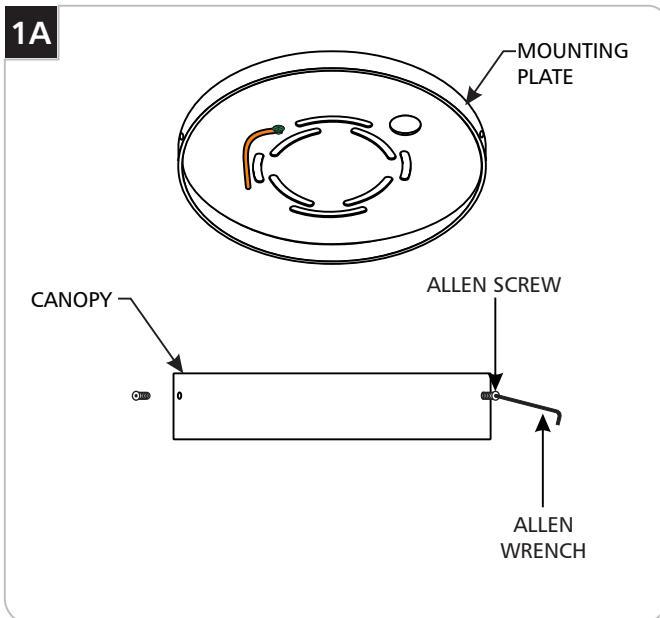


CAUTION - RISK OF FIRE

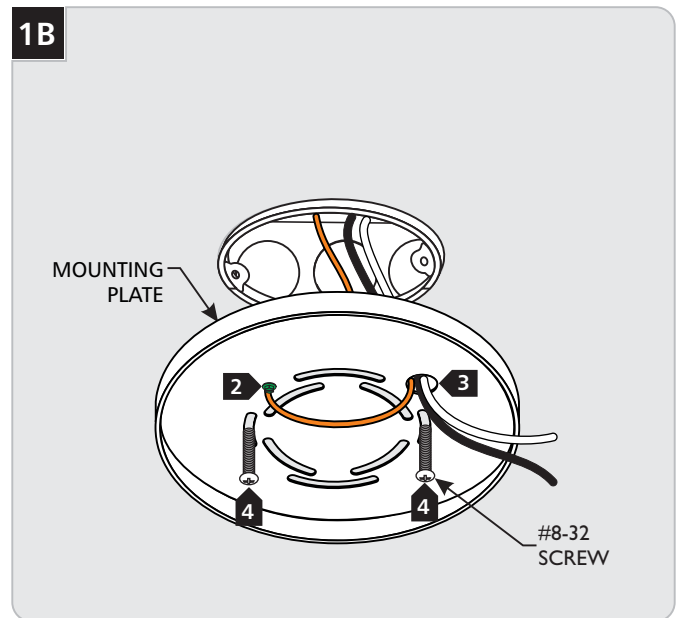
This product must be installed in accordance with the applicable installation code by a person familiar with the construction and operation of the product and the hazards involved.

Use minimum 90°C supply conductors.

Assemble the Fixture



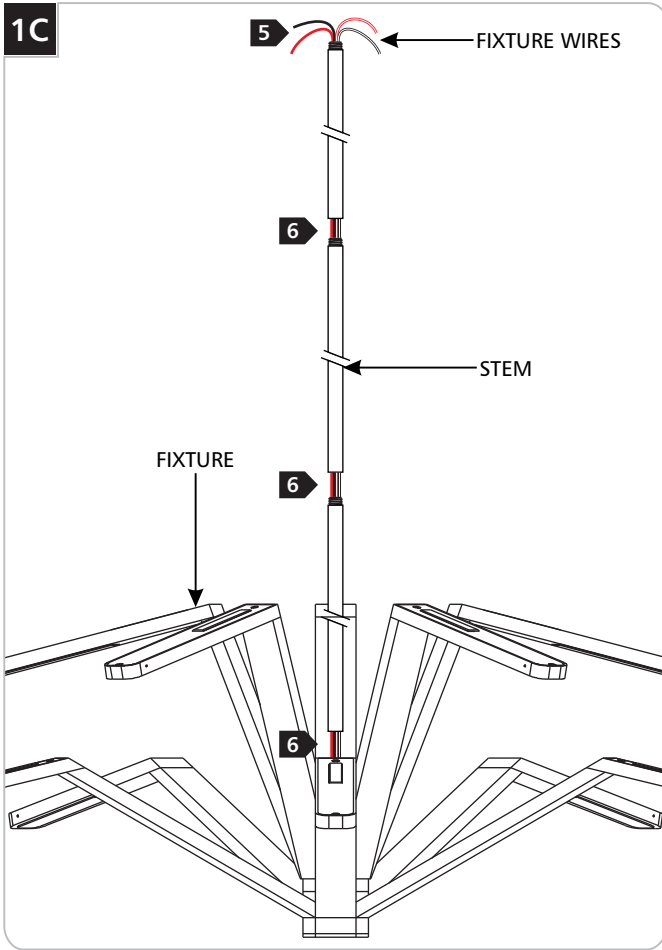
- 1 Separate the mounting plate from the canopy by unscrewing the three Allen screws using the provided Allen wrench.



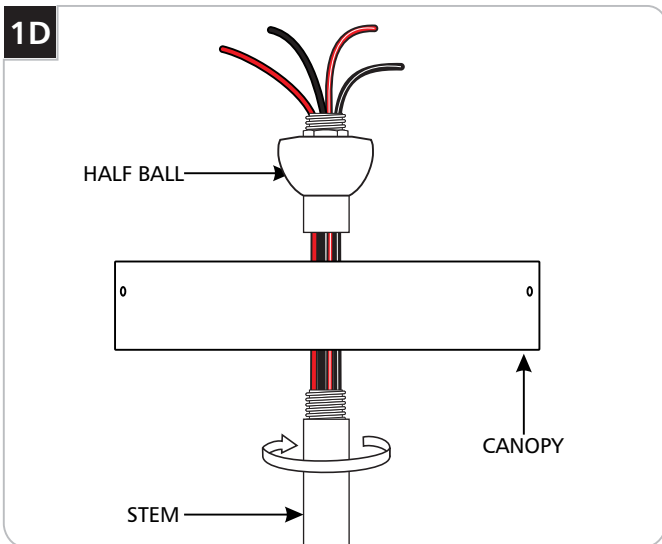
- 2 Connect the mounting plate ground wire to a suitable ground in accordance with local electrical codes.
- 3 Feed the power line wires through the hole on the canopy.
- 4 Secure the mounting plate to the electrical box with the two provided #8-32 screws.

Install the Fixture

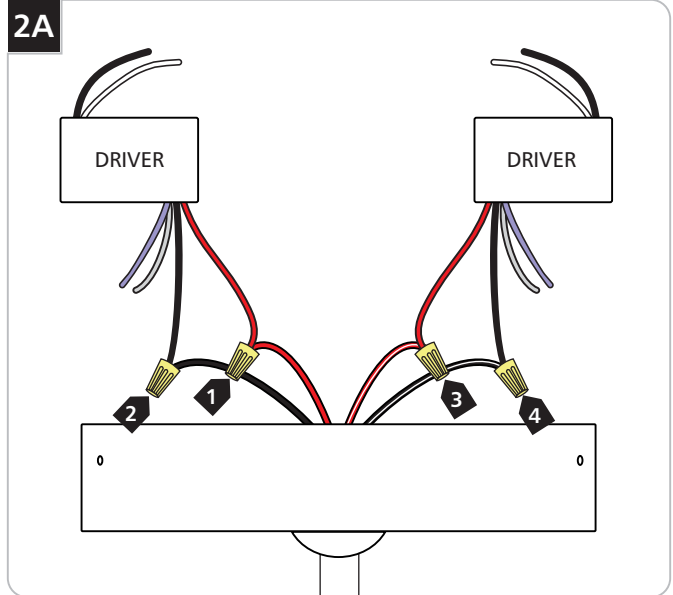
NOTE: It is recommended that one person hold the fixture while the electrician connects the power and finishes the installation.



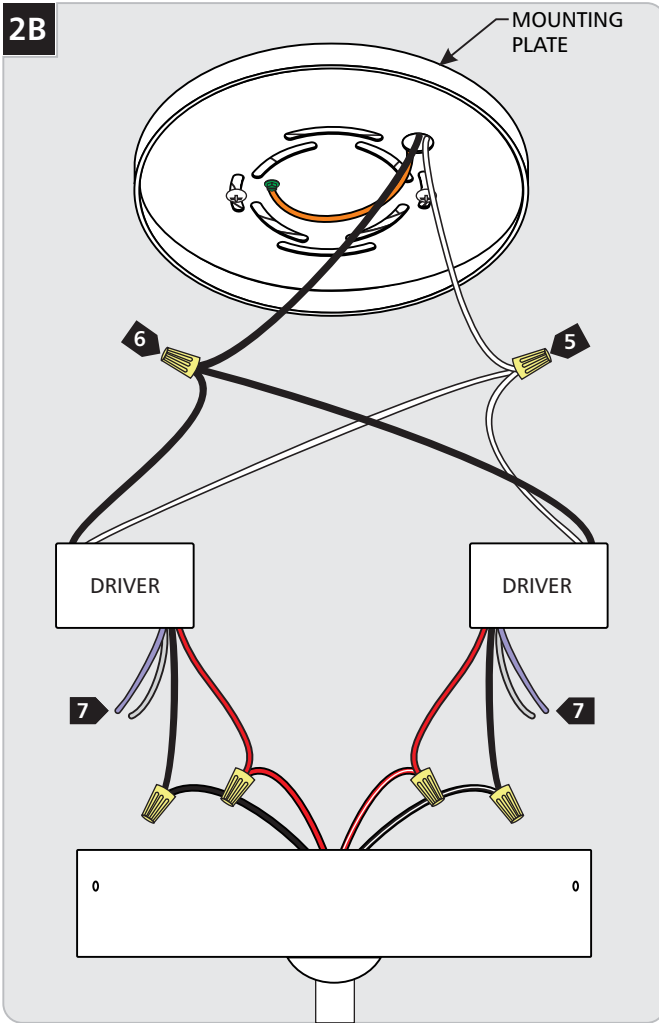
- 5** Feed the fixture wires through the stems and assemble them by screwing them together.
- 6** Screw the stem assembly to the fixture.



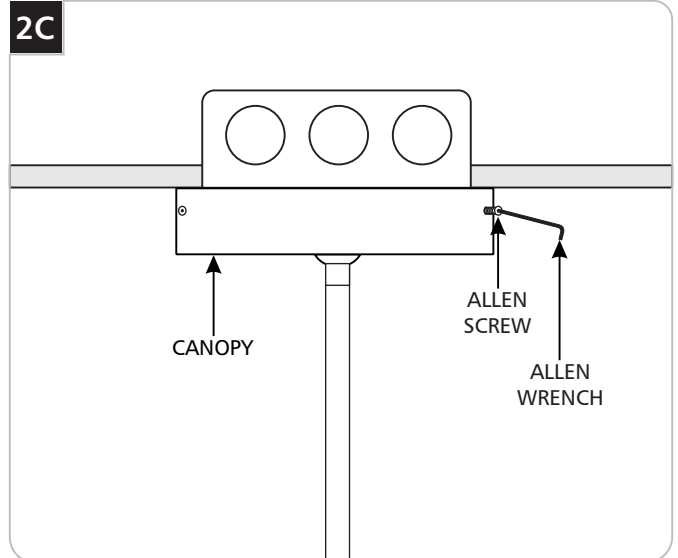
- 7** Install the half ball to the canopy.
- 8** Feed the fixture wires through the canopy and half ball and screw the half ball onto the stem assembly.



- 1** Connect the red driver wire from one driver to the solid red fixture wire with a wire nut.
- 2** Connect the black driver wire from the same driver to the solid black fixture wire with a wire nut.
- 3** Connect the red driver wire from the other driver to the striped red fixture wire with a wire nut.
- 4** Connect the black driver wire from the same driver to the striped black fixture wire with a wire nut.

2B

- 5** Connect the white driver wires to the neutral power line wire with a wire nut.
- 6** Connect the black driver wires to the hot power line wire with a wire nut.
- 7** Use the purple and gray dimming wires for 0-10v dimming application.

2C

- 8** Place the drivers, all wires, and wire nut connections properly inside the canopy, place the canopy flush onto the ceiling, and secure it by reinstalling the three Allen screws with the provided Allen wrench.

SAVE THESE INSTRUCTIONS!



TECH LIGHTING®

7400 Linder Ave, Skokie, IL 60077

847.410.4400

www.techlighting.com

© 2016 Tech Lighting, L.L.C. All rights reserved. The "Tech Lighting" graphic is a registered trademark of Tech Lighting, L.L.C. Tech Lighting reserves the right to change specifications for product improvements without notification.

A Generation Brands Company