

MR16 Snout

700SNOUT_

1.6



GENERAL PRODUCT INFORMATION:



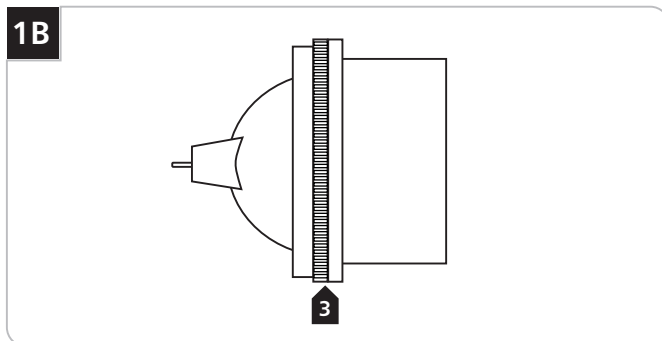
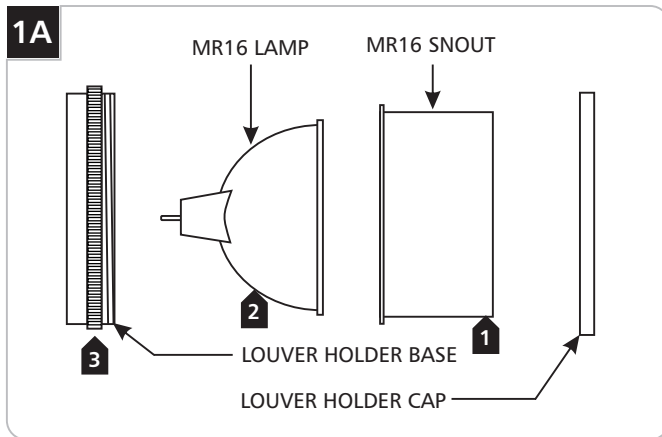
This product is suitable for indoor dry locations only.

This product must be used with Tech Lighting systems only.



Installing the MR16 Snout Accessory

NOTE: MR16 Snout should be used with a Louver Lens Holder (not included) or in Elvis series fixtures.



- 1** Place the MR16 Snout into the louver holder cap.
- 2** Insert the MR16 lamp into the louver holder base.
- 3** Screw the louver holder cap onto the louver holder base.

SAVE THESE INSTRUCTIONS!



7400 Linder Ave, Skokie, IL 60077
847.410.4400

www.techlighting.com

© 2008 Tech Lighting, L.L.C. All rights reserved. The "Tech Lighting" graphic is a registered trademark of Tech Lighting, L.L.C. Tech Lighting reserves the right to change specifications for product improvements without notification.
A Generation Brands Company